

## 21" STRETCHED BAR LCD DISPLAY SRK-BAR21WRA (Android) and SRK-BAR21WRH (Monitor)



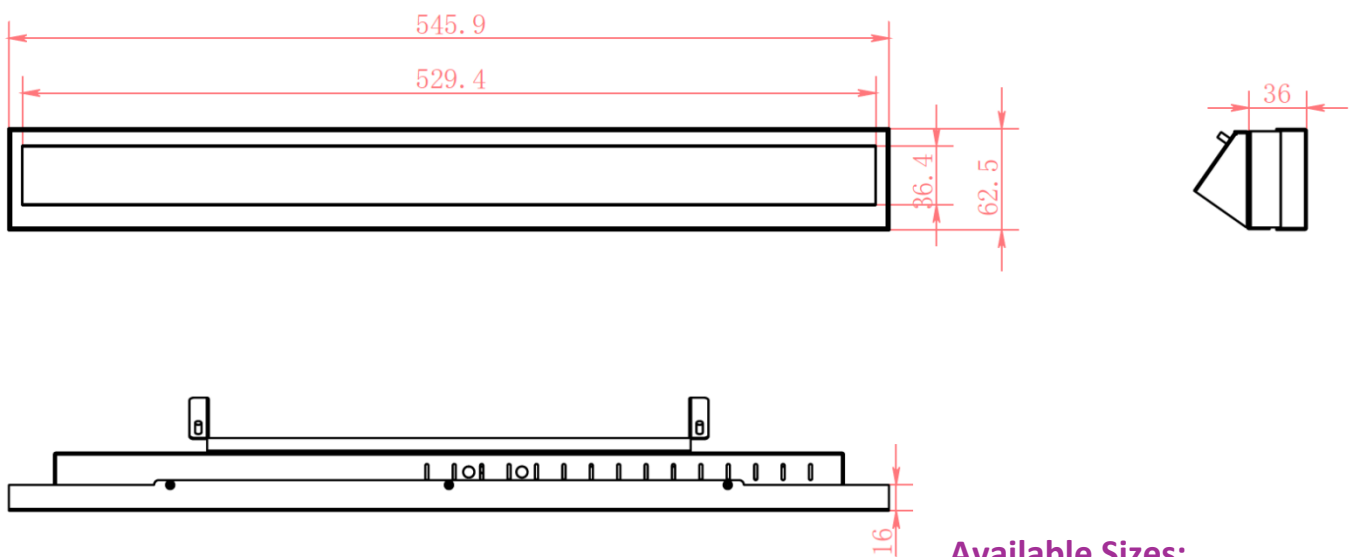
### TECHNICAL SPECIFICATIONS

	Model	SRK-BAR21WRA (Android) & SRK-BAR21WRH (Monitor)
<b>Panel info</b>	Screen Size	21in
	Aspect Ratio	3:1
	Display Outline Size (mm)	545.9*62.5*36
	Display Area (mm)	529.4(H) x 36.4 (V)
	Resolution	1920X132
	Brightness	300cd/m2
	Viewing Angle	89/89/89/89
	Contrast Ratio	1200:1
<b>Monitor Version</b>	Interface	HDMI x 1, VGA x 1, Power x 1, IR x 1
	Speaker	Optional
	Accessories	Hanging rack
<b>Android Version</b>	CPU	RK 3288, Quad core Cortex. A17 1.8 GHz
	RAM	2G (DDR3)
	Flash	8G (NAND FLASH)
	WiFi	High-performance WiFi 802.11 b/g/n
	I/O Port	USB*2/TF Card Slot/LAN RJ45

## 21" STRETCHED BAR LCD DISPLAY SRK-BAR21WRA (Android) and SRK-BAR21WRH (Monitor)

SIRKOM provides different LED backlights with luminance ranging from 300cd to 1500cd ensure readability, high contrast and high life-time for indoor and for outdoor applications.

Our self-designed controllers support data streaming at full HD display resolutions and low power consumption and we are able to provide customized solutions which combine elegant design and robust mechanical construction specifically tailored for any environments.



### Available Sizes:

19"	35"
21"	38"
23"	43"
24"	47"
28"	48"
29"	88"

**More sizes customizable**

### Possible usage:

Reliably and professionally made, this stretched lcd bar is the ideal digital point for the usage in:

- Retail Business: department store, supermarket, hotel, restaurant, travel agency, pharmacy, hairdressers
- Financial Business: retail bank, currency exchange center, loan companies
- Public Services: hospitals, schools, post office, libraries
- Public Places: airport, museum, stadium, car rental
- Real Estate: foyer, show rooms, office
- Entertainment: cinema, gym, hotel, nightclub, bar, theatre

### Our advantages:

- Variety of sizes and display ratios
- High quality display with literally no defect
- Screen protection and anti-glare glass optional
- Metal shell with heat dissipation design
- Digital signage player connected or built-in
- 50,000 hours of service time guaranteed
- Large inventory, significant price advantage